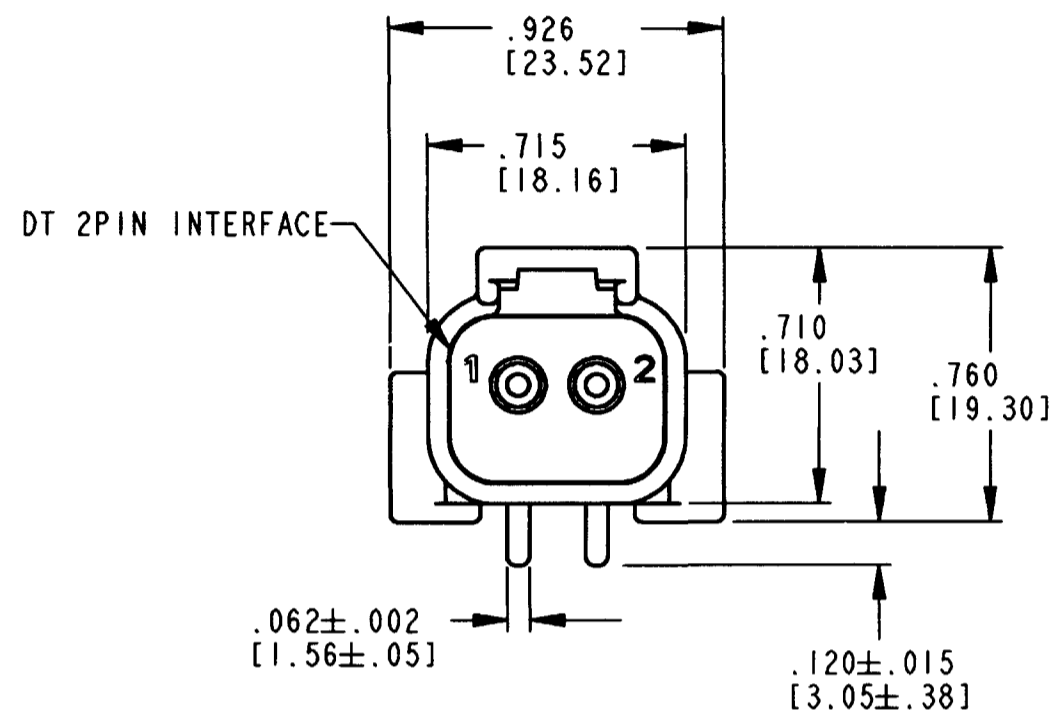


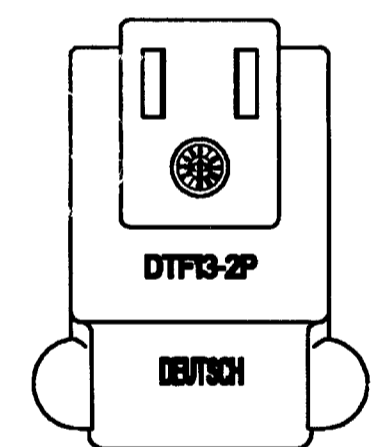
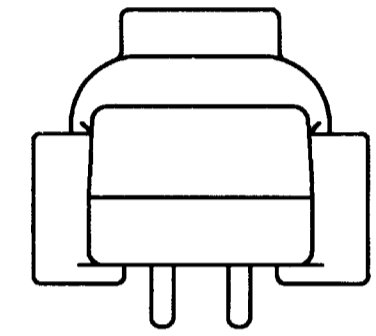
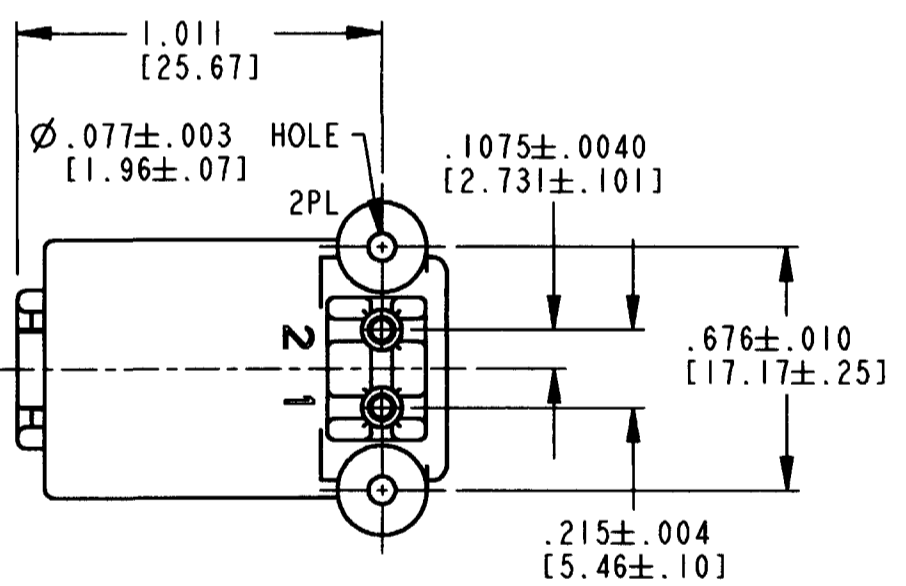
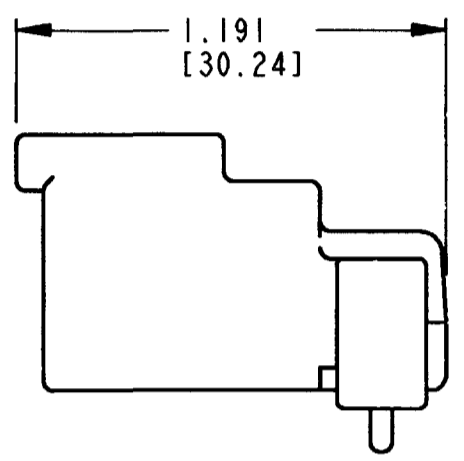
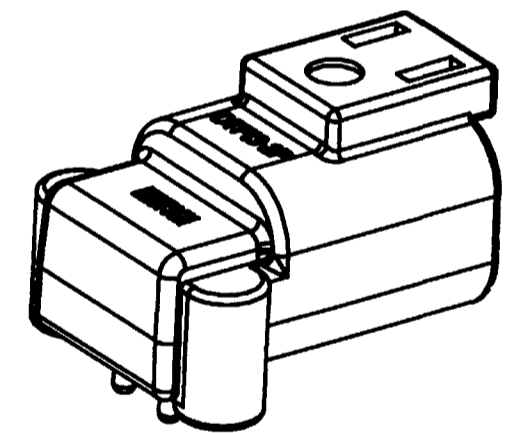
REV
NC

DTF13-2P

REVISIONS			
SYM	DESCRIPTION	DATE	APPROVED
NC	NEW RELEASE PER E.O. PI6803	7/12/00	<i>[Signature]</i>



3D VIEW



5. MATERIALS: HOUSING - HIGH TEMPERATURE NYLON BLACK
PINS - TIN PLATED
4. CONNECTOR MATES WITH THE DT06-2S-**** AND USES WEDGE PART NO. W2S.
(**** = ALL MODIFICATIONS) CONSULT FACTORY FOR MODIFICATIONS.
3. Ø.077 [Ø1.96] REF HOLE ARE FOR SIZE 2 SCREWS.
2. DIMENSIONS ARE ±.025[±.63] UNLESS OTHERWISE SPECIFIED.
1. ALL DIMENSIONS ARE IN INCHES [METRIC].

NOTES:

SIGNATURE & DATE	
DR	M. GONZALEZ 8/8/00
CHK	<i>[Signature]</i>
PE	<i>[Signature]</i> 8/9/00
APPD	<i>[Signature]</i> 8/14/00
SCALE	NONE WT

90° RECEPTACLE
FLANGELESS 2 PIN CONNECTOR
DTF SERIES
16 SIZE
KEY NONE
COLOR BLACK

ENVELOPE

CP	MATL. CODE
The Deutsch Company DEUTSCH I.P.D. 3850 INDUSTRIAL AVE. HEMET, CALIF. 92545	
B	DTF13-2P
DWG SIZE	CODE 11139 SHEET OF